



G2-RAIN

ALERT SYSTEM

- Rainfall notifications on smartphone or computer
- Streamlined design with integrated mount
- Accurate measurements at varying intensities
- Web portal for access to live and historic data
- Low maintenance and remote configuration

The NexSens G2-RAIN Alert System is a self-contained monitor with a precision rain gauge and integrated cellular modem. Real-time rainfall notification is sent by email to mobile devices or computers.

An integrated tipping bucket with siphon and 8" diameter receiver adheres to WMO & NOAA standards. The siphon produces a steady flow of water to the tipping mechanism for reliable readings in up to 27 inches per hour rain events. A stainless steel filter screen limits debris and reduces internal maintenance.

A 2 inch NPT mast mount makes it easy to setup and easy to maintain. It can be installed or relocated in minutes.

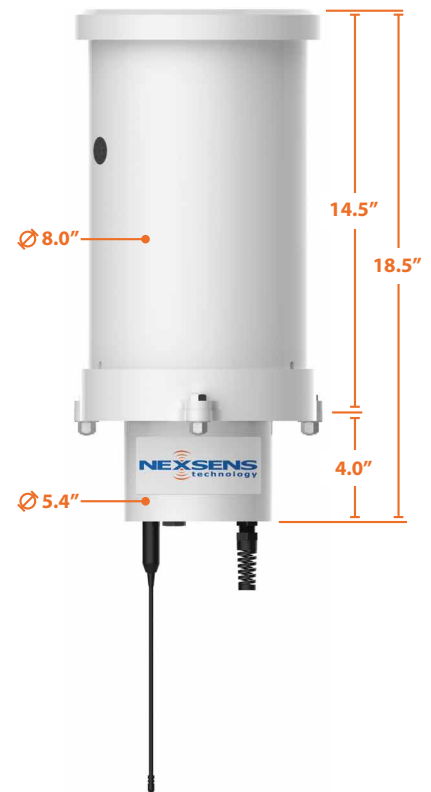


G2-RAIN

RAIN ALERT SYSTEM

specifications

G2-RAIN-RTU	
RTU Mount	2" NPT pipe thread
Rain Gauge Mount	Mounting flange (compatible with Rickly 3510, HyQuest TB3/4/6)
Material	Aluminum body with white powder coat finish
Weight	6.5 lbs.
Dimensions	5.4" diameter, 4.0" height
Temperature Range	-30 to 80°C
Rating	IP65
Memory	Over 1.5M data records before rollover (85 years with a 30 minute interval)
Battery	(2) D-Cell lithium (Thionyl Chloride)
Battery Life	4 years (average of 48 logs and 2 transmissions per day)
Tipping Bucket Input Connector	2 pin screw terminal
Sensor Input Signal	Contact closure (100mS minimum)
Communication	NexSens hosted Verizon 4G cellular modem
Transmission Trigger	Interval rain rate, time-based
User Interface	NexSens WQData LIVE 2.0 web portal
Rain Interval	User configurable from 5 minutes to 24 hours (30 minute default)
User Parameters	Interval rain, rain intensity, total rain (calculated)
Meta Data Parameters	Tip counter
Diagnostic Data Parameters	Input power, internal pressure, internal temperature, internal humidity, cell signal strength, cell module power, processor power, processor current, RTC power, cell module current



Tipping Bucket Rain Gauge (Included with G2-RAIN)	
Weight	9 lbs.
Dimensions	8.0" diameter, 14.5" height
Receiver	Machined aluminum 8.0" rim
Sensitivity	One tip per 0.01" rain
Measuring Range	0 to 27 in/hr
Measuring Intensity Accuracy	+/-2% @ 0 to 10 in/hr +/-3% @ 10 to 20 in/hr +/-5% @ 20 to 27 in/hr
Siphon	0.016" (12ml) capacity brass & non-hydroscopic polymer with leaf/insect screen filter
Temperature	-20 to 70°C



G2-RAIN-RTU

parts list

Part #	Description
G2-RAIN	Cellular rain alert system with tipping bucket (0.01" per tip) included
G2-RAIN-RTU	Cellular rain alert system without tipping bucket
VZ-5MB-M	Verizon cellular data service with 5 MB monthly allowance & static IP address, priced per month
VZ-5MB-Y	Verizon cellular data service with 5 MB monthly allowance & static IP address, priced per year
MAST	2" NPT threaded aluminum pipe assembly for hardware mounting, 24" length
G2-BAT-2D	2-Cell lithium battery pack



tel: **937.426.2703**
8am to 7pm EST, Monday-Friday

fax: **937.426.1125**

NexSens Technology, Inc.
2091 Exchange Court
Fairborn, OH 45324
info@nexsens.com

nexsens.com