

DRAWING DIMENSIONS IN INCHES

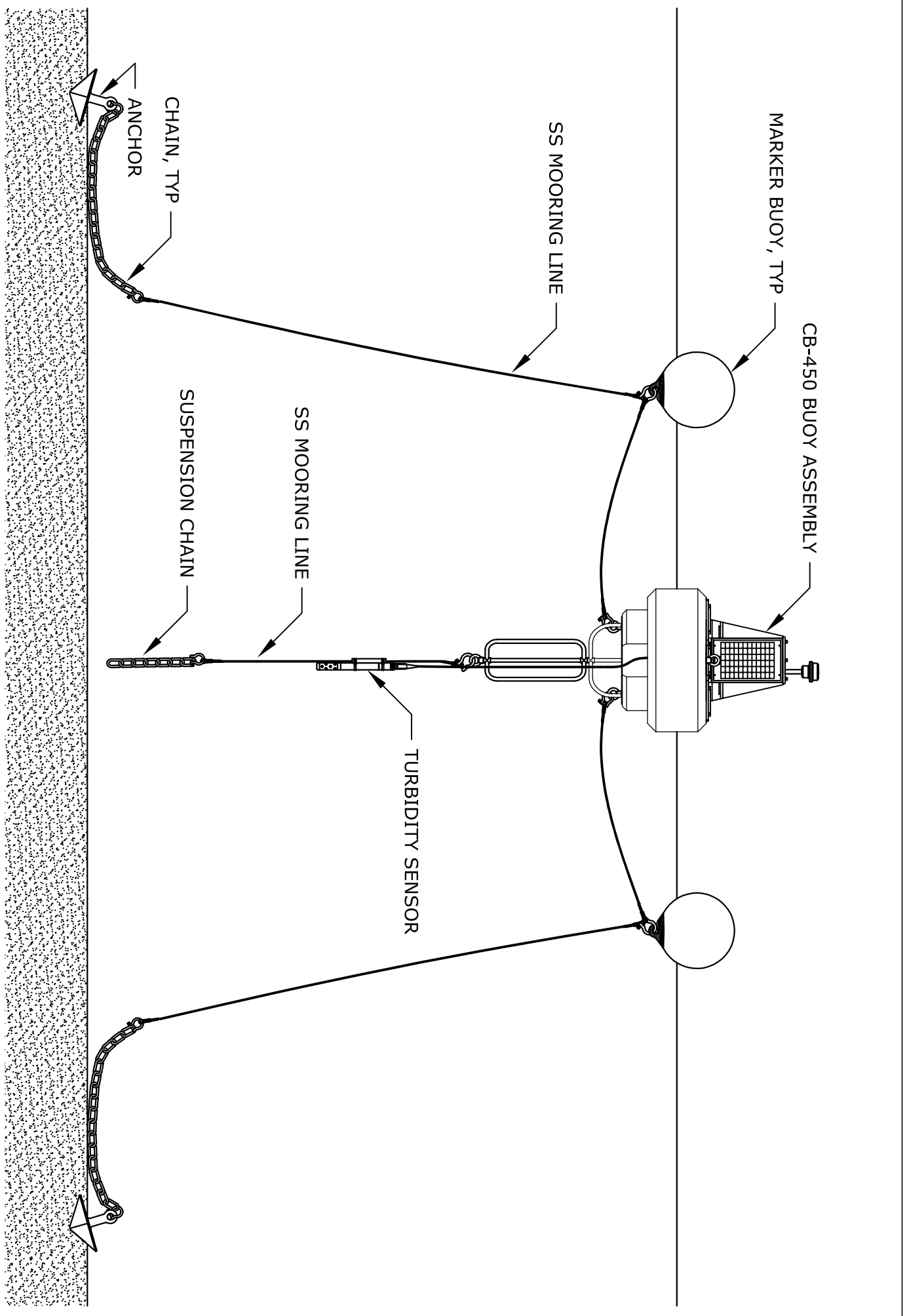
TITLE:
NEXSENS CB-450 DATA BUOY

DRAWING NUMBER:
NEX242

SHEET:
1 of 6

This drawing and the information thereon is the property of NexSens Technology. All unauthorized use and reproduction is prohibited. <www.NexSens.com>





TITLE:

NEXSENS CB-450 DATA BUOY - TYPICAL TURBIDITY MONITORING SYSTEM

DRAWING NUMBER:

NEX243

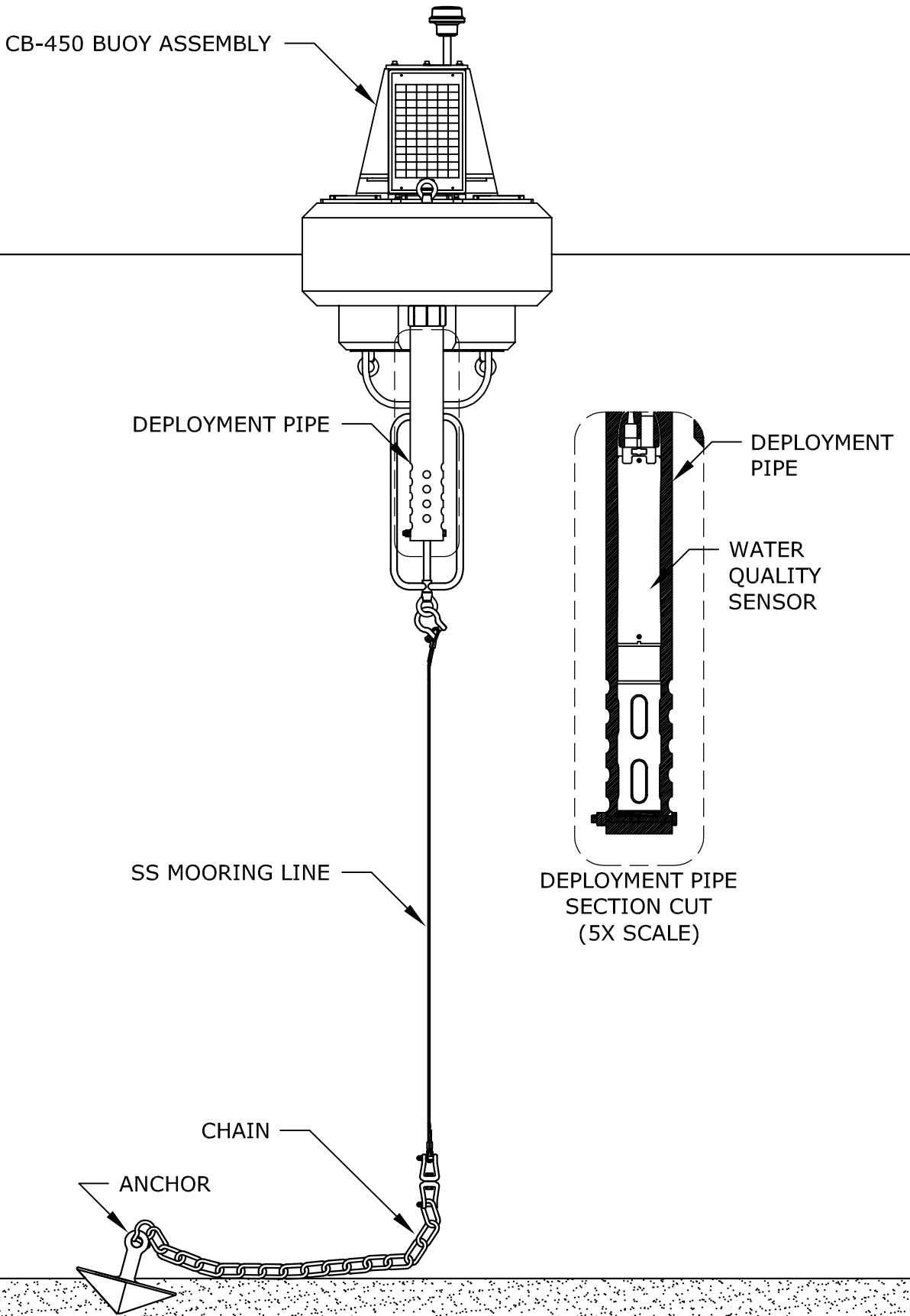
SHEET:

2 of 6

Drawing Dimensions in Inches

This drawing and the information thereon is the property of NexSens Technology
 All unauthorized use and reproduction is prohibited. <www.NexSens.com>





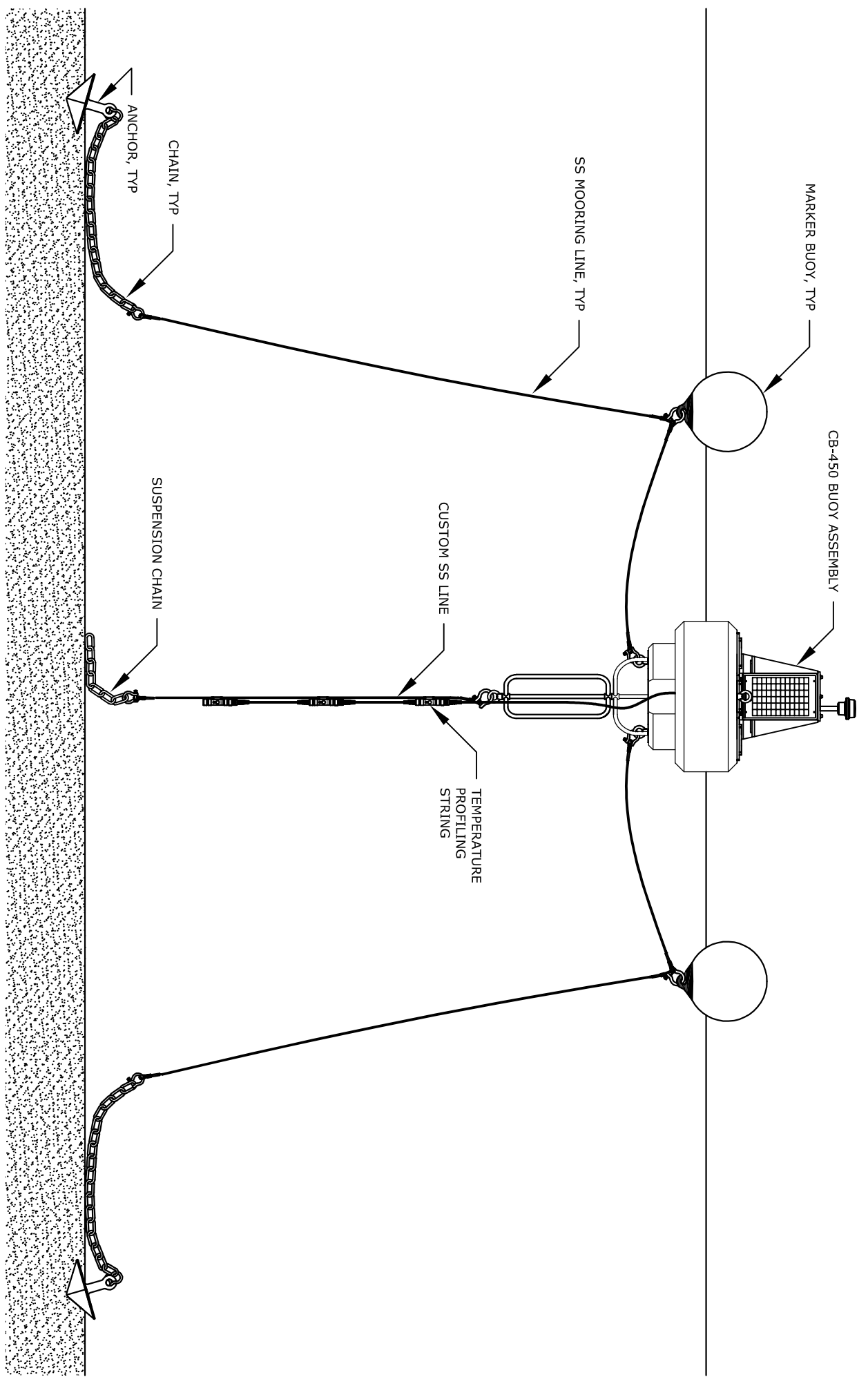
TITLE:
 NEXSENS CB-450 DATA BUOY - TYPICAL WATER QUALITY MONITORING SYSTEM

DRAWING NUMBER:
 NEX244

SHEET:
 3 of 6

This drawing and the information thereon is the property of NexSens Technology. All unauthorized use and reproduction is prohibited. <www.NexSens.com>





CB-450 BUOY ASSEMBLY

MARKER BUOY, TYP

SS MOORING LINE, TYP

CUSTOM SS LINE

TEMPERATURE PROFILING STRING

CHAIN, TYP

ANCHOR, TYP

SUSPENSION CHAIN

TITLE:
NEXSENS CB-450 DATA BUOY - TYPICAL TEMPERATURE MONITORING SYSTEM

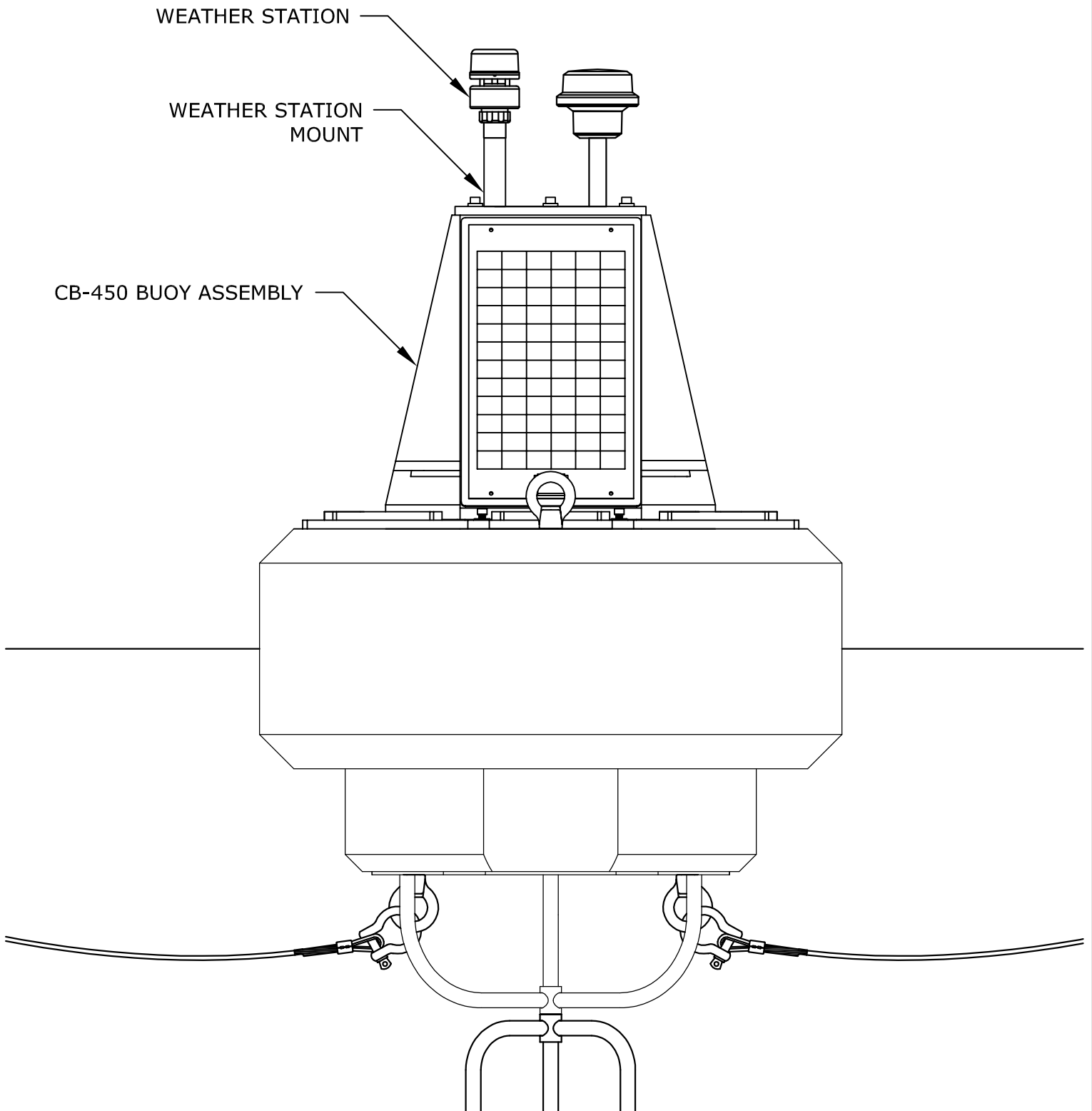
DRAWING NUMBER:
NEX245

SHEET:
4 of 6

Drawing Dimensions in Inches

This drawing and the information thereon is the property of NexSens Technology. All unauthorized use and reproduction is prohibited. <www.NexSens.com>





TITLE:
 NEXSENS CB-450 DATA BUOY - TYPICAL WEATHER STATION MONITORING SYSTEM

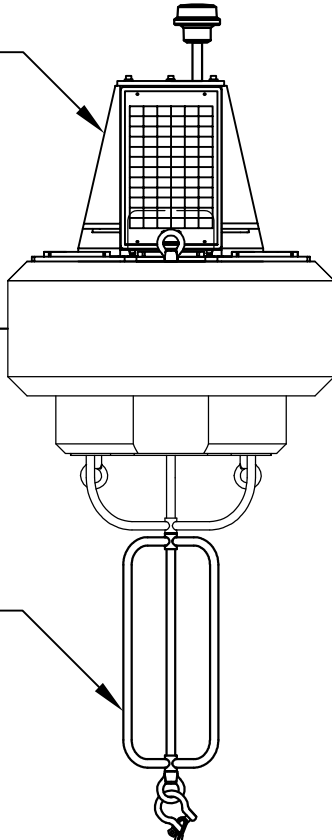
DRAWING NUMBER:
 NEX246

SHEET:
 5 of 6

This drawing and the information thereon is the property of NexSens Technology.
 All unauthorized use and reproduction is prohibited. <www.NexSens.com>

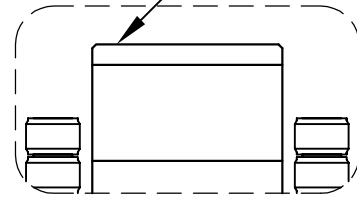


CB-450 BUOY ASSEMBLY



INSTRUMENT CAGE

WAVE SENSOR

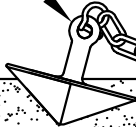


BUOY SECTION CUT
(4X SCALE)

SS MOORING LINE

ANCHOR

CHAIN



TITLE:

NEXSENS CB-450 DATA BUOY - TYPICAL WAVE MONITORING SYSTEM

DRAWING NUMBER:

NEX247

SHEET:

6 of 6

This drawing and the information thereon is the property of NexSens Technology. All unauthorized use and reproduction is prohibited. <www.NexSens.com>

