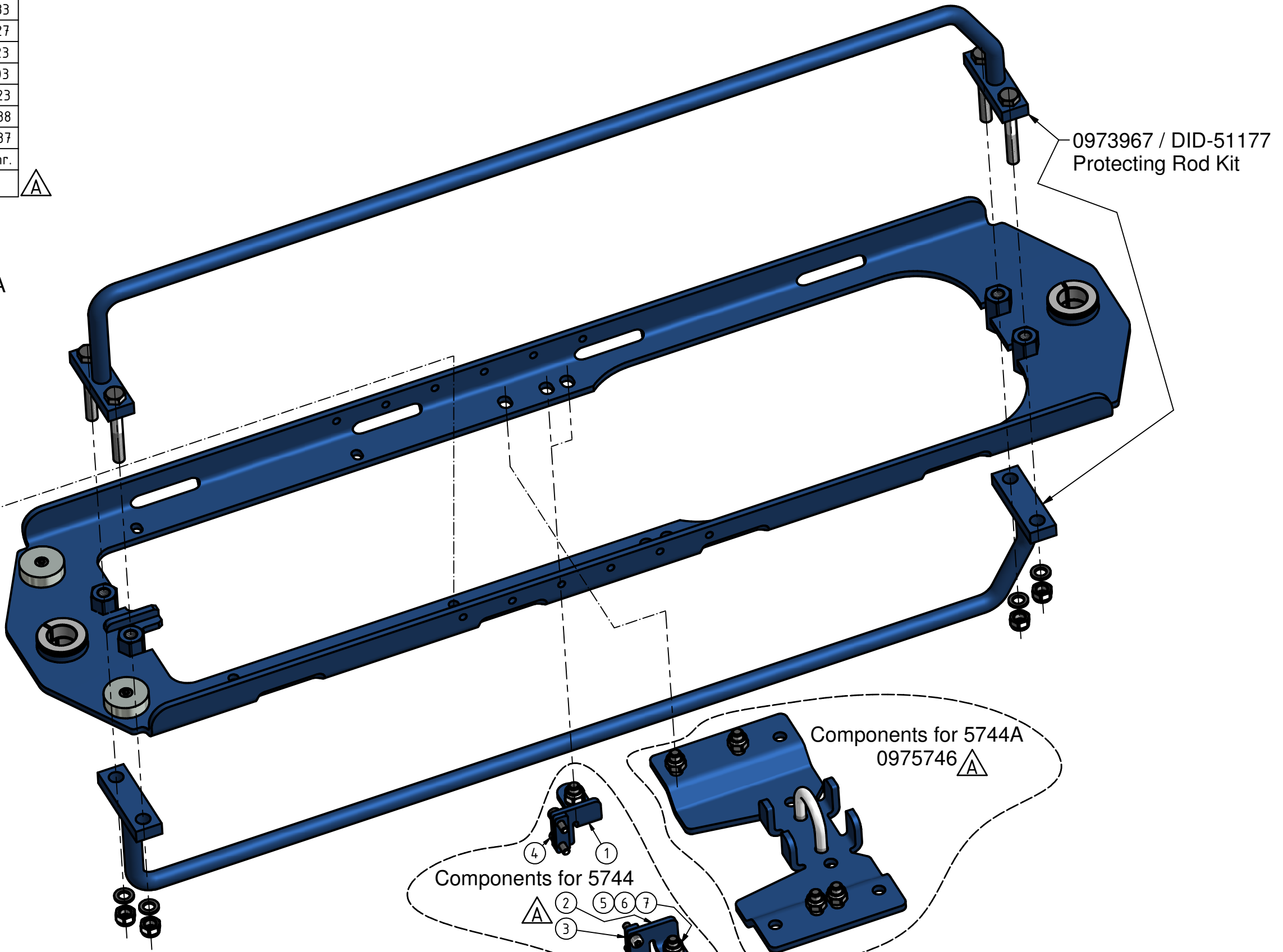
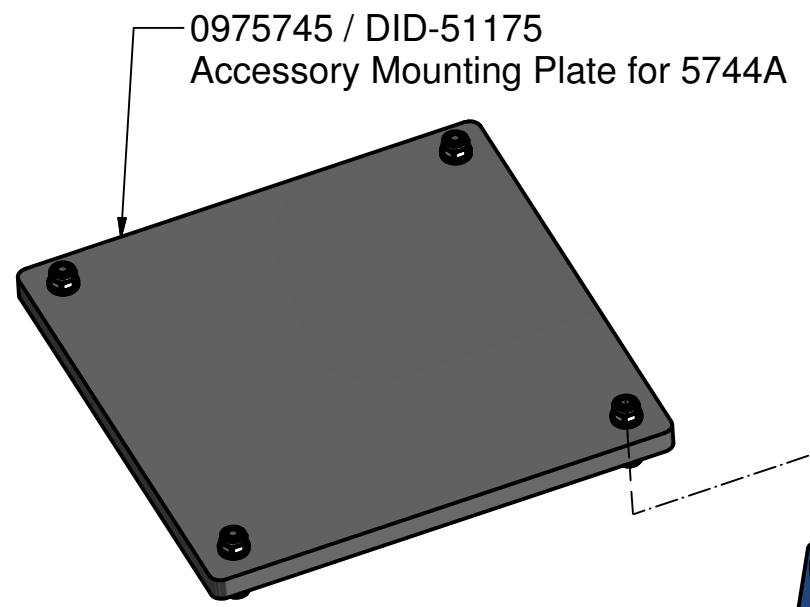
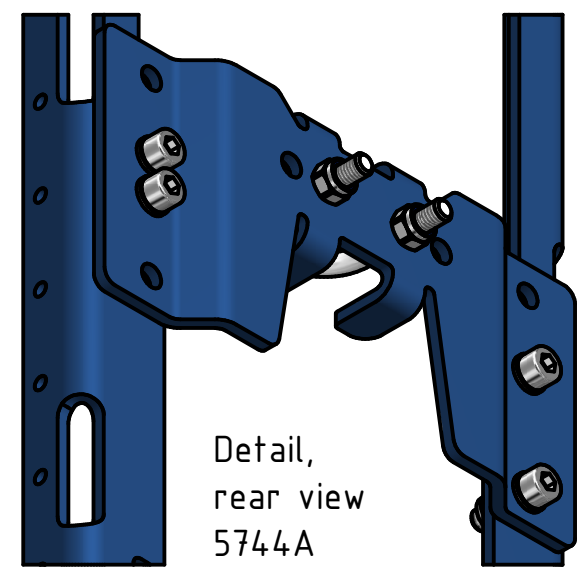


7	2	Hex lock nut	DIN 985 - M8 A4	1652033
6	4	Washer	Din 125 - 8,4 A4	1652027
5	2	Socket head cap screw	Din 912 - M8x25 A4	1642123
4	4	Socket head cap screw	Din 912 - M5x16 A4	1642103
3	2	Bracket	V-11165	3965723
2	1	Bracket Left	DID-51165	3964838
1	1	Bracket Right	DID-51164	3964837
Item	Qty	Description	Drawing/Std./Type/Etc.	AADI nr.

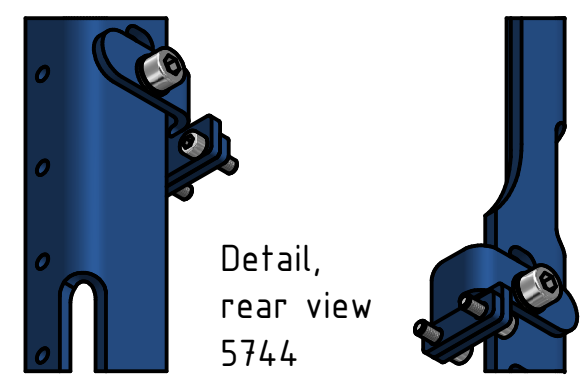
(Components for 5744)



Breaking load: 800 Kg



Detail, rear view 5744A



Detail, rear view 5744

Date	Constr./Drw.	Approved	Scale	AANDERAA	
01.10.2015	HT		N.A.	www.aanderaa.com	a xylem brand
5744 In-Line frame for Instrument 5744A In-Line frame for DCS / DCPS				Part No. 0975744 / 0975744A	
				Drawing No. DID-51159	Rev. No. A
Original Size	A3	Sheet	1 of 1	Edition A 26.05.2016 HT	