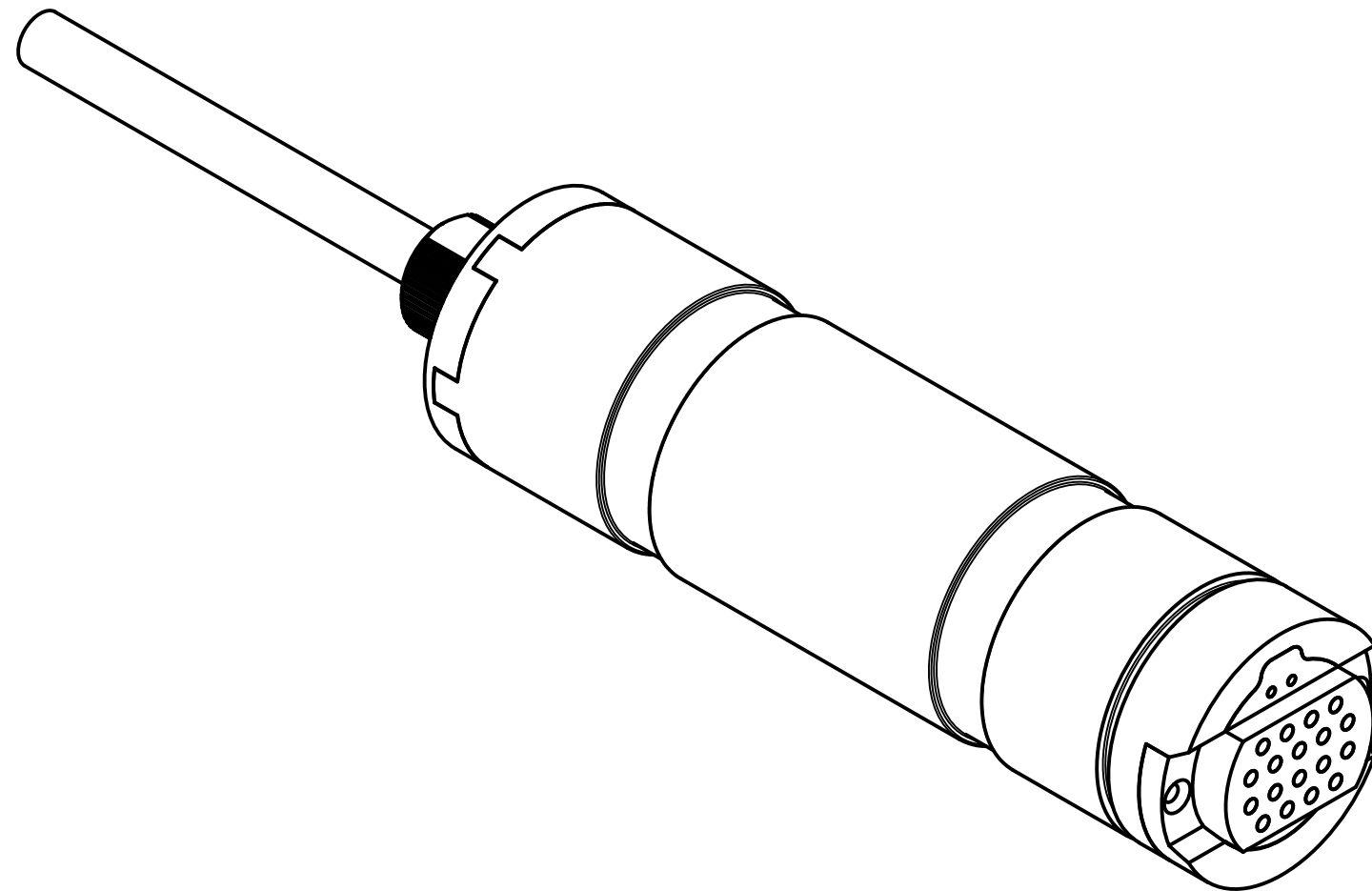
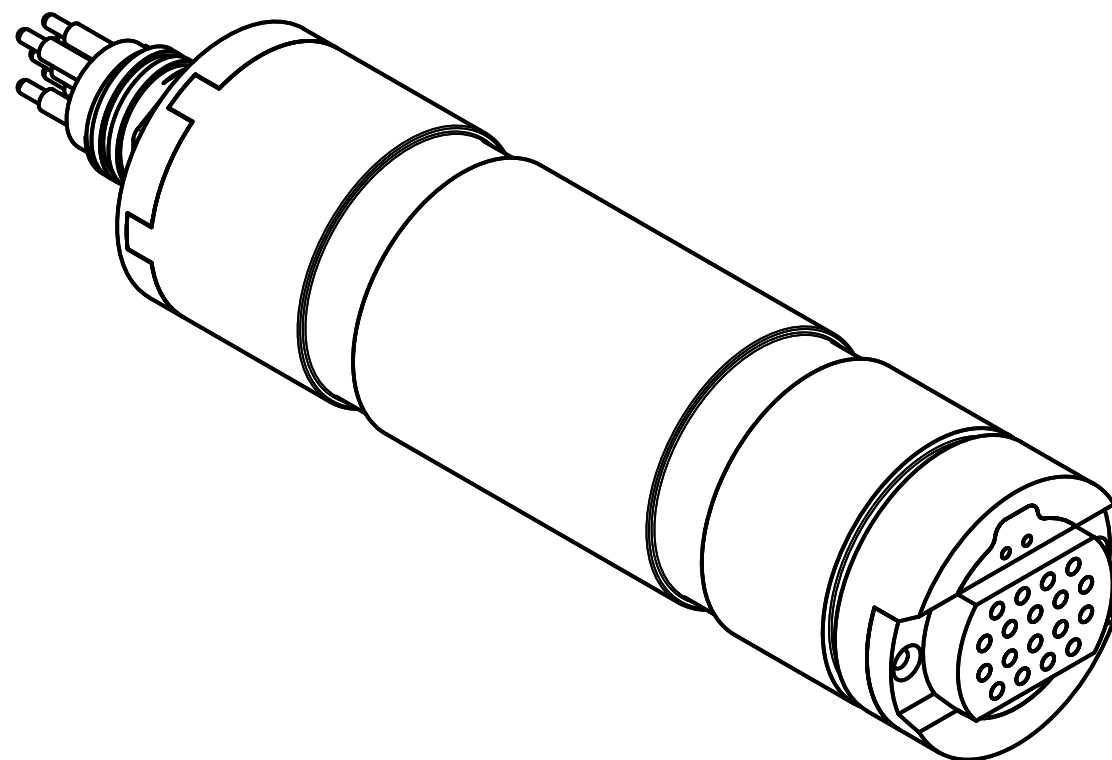
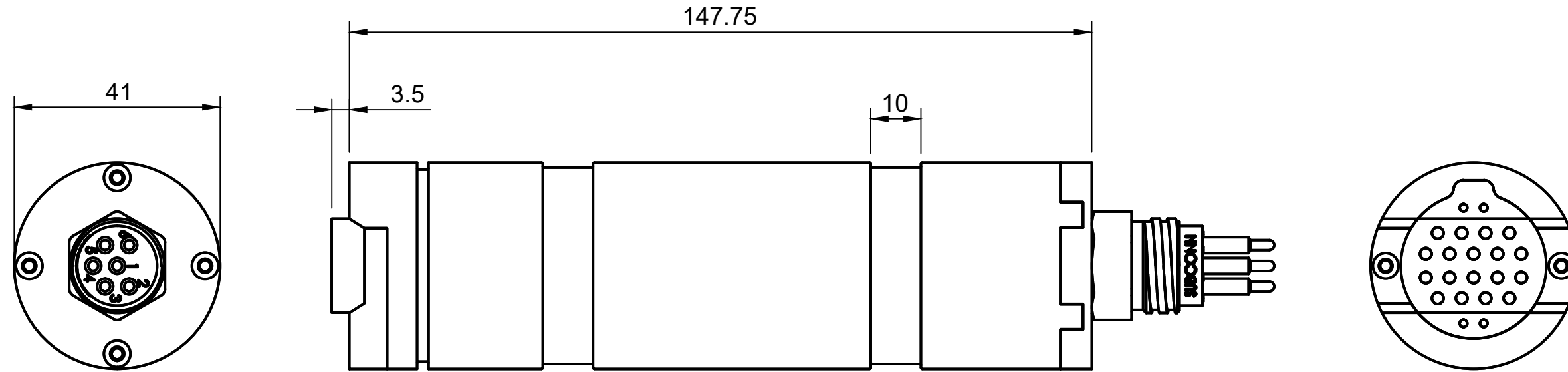


8mm Cable - Length 1m unless otherwise stated



Dept. ENG	Technical reference	Created by Ben Legg	1/24/2023	Approved by KM & NL
<p>Proprietary and Confidential The information contained in this drawing is the sole property of ANB Sensors Ltd. Any Reproduction in part or as a whole without the written permission of ANB Sensors Ltd. is prohibited.</p>		Document type Customer Dimensions	Document status Complete	
		Title AQ-5 Jan 23	DWG No. AQ-5 Complete Sensor	
Rev. 7	Date of issue 23/10/22	Sheet 1/1		



Dept. ENG	Technical reference	Created by Ben Legg	1/24/2023	Approved by KM & NL
<p>Proprietary and Confidential The information contained in this drawing is the sole property of ANB Sensors Ltd. Any Reproduction in part or as a whole without the written permission of ANB Sensors Ltd. is prohibited.</p>		Document type Customer Dimensions	Document status Complete	
		Title AQ-50 Jan 23	DWG No. AQ-50 Complete Sensor	
Rev. 7	Date of issue 23/10/22	Sheet 1/1		