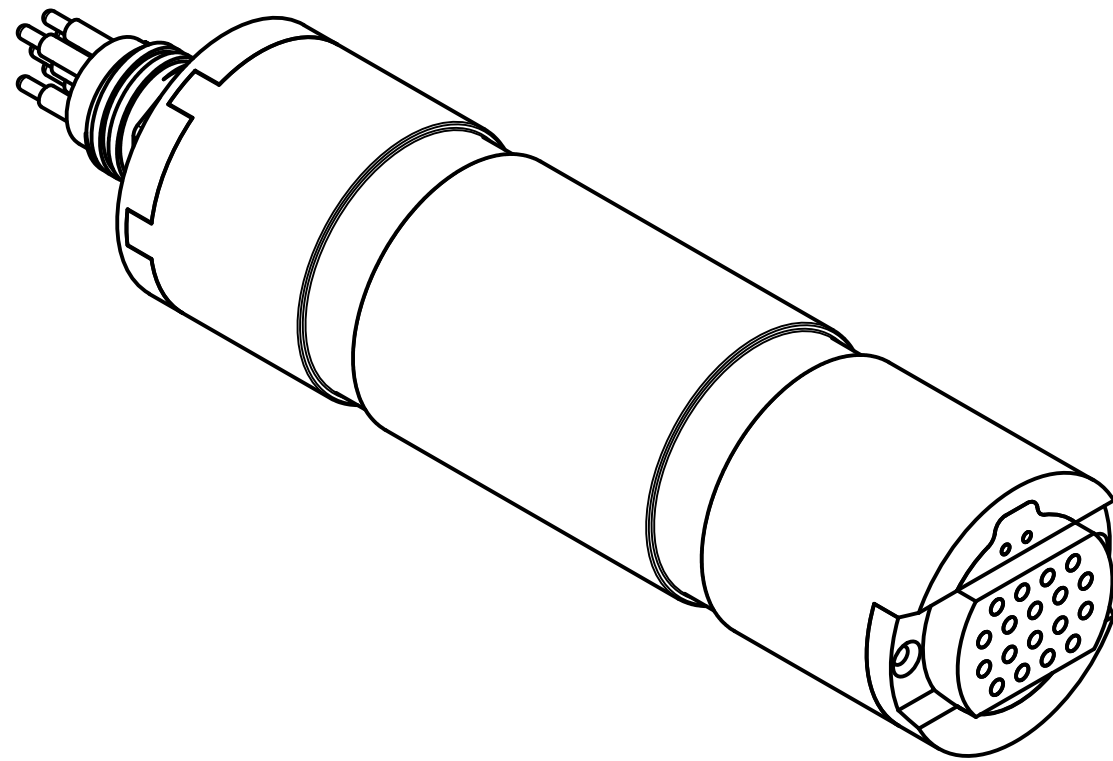
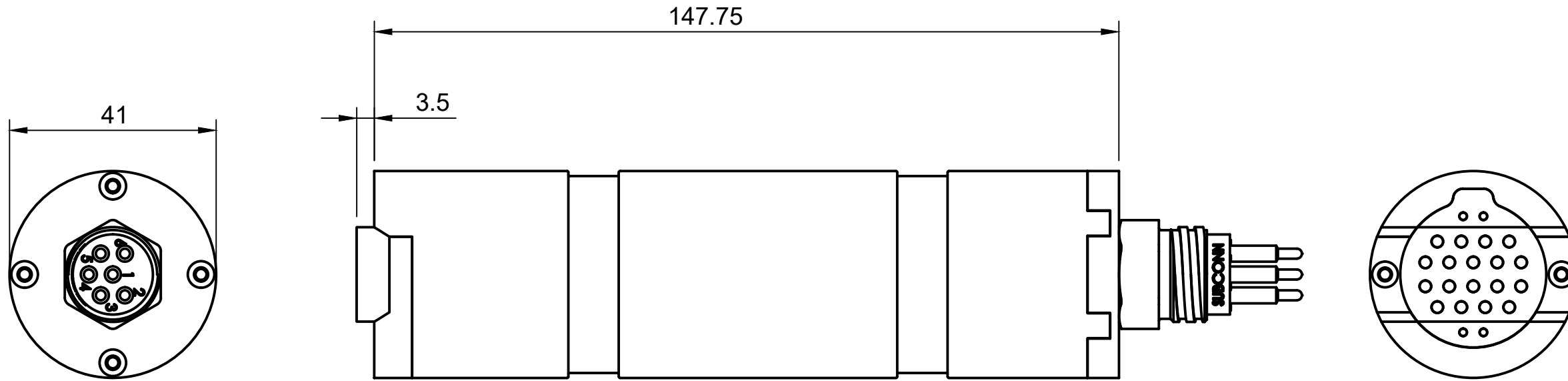


Dept. ENG	Technical reference	Created by Ben Legg	1/24/2023	Approved by KM & NL
<p><b>Proprietary and Confidential</b> The information contained in this drawing is the sole property of ANB Sensors Ltd. Any Reproduction in part or as a whole without the written permission of ANB Sensors Ltd. is prohibited.</p>		Document type Customer Dimensions	Document status Complete	
		Title OC-300 Jan 23	DWG No. OC 300 Complete Sensor	
Rev. 7	Date of issue 23/10/22	Sheet 1/1		



Dept. ENG	Technical reference	Created by Ben Legg	1/24/2023	Approved by KM & NL
<p><b>Proprietary and Confidential</b> The information contained in this drawing is the sole property of ANB Sensors Ltd. Any Reproduction in part or as a whole without the written permission of ANB Sensors Ltd. is prohibited.</p>		Document type Customer Dimensions	Document status Complete	
		Title OC 1250 Jan 23	DWG No. OC 1250 Complete Sensor	
Rev. 7	Date of issue 23/10/22	Sheet 1/1		